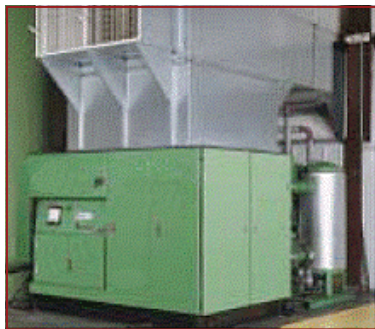




ENGINEERED COOLING SYSTEMS YOU CAN RELY ON.

TEMAC - Thermal, Electrical, Mechanical and Air Components
Your single source for quality, dependable heat transfer products, systems and accessories.



Air-cooled engineered components, modules and systems for cooling compressed gas and lubricating oil on a variety of stationary and mobile compressors including centrifugal, screw, vane-axial and reciprocating units.



APPLICATIONS:

- Lubrication oil cooling**
- Hydraulic circuits**
- Process gas cooling**
- Fuel cooling**
- Glycol cooling**
- Turbocharger Intercooling**



INDUSTRIES SERVED:

- Compressor (Stationary and mobile)**
- Off-highway.**
- Construction**
- Forestry**
- Power Generation**
- Automotive Performance**
- Industrial applications**



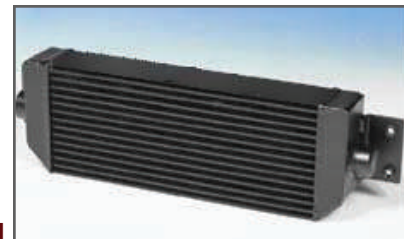
Whether you are hard at work keeping plant air production at full capacity or providing mountains of snow to help mother nature bring smiles to those who enjoy winter activities, TEMAC is ready to assist with uniquely tailored solutions.





Packaged units incorporating one or more heat exchangers, utilizing various fan/motor arrangements, optimized to meet customer specific requirements.

Standard coolers for oil cooling available from stock.



Charge-air-coolers for turbocharged diesel engines. Coolers can be mounted in front or in a side-by-side configuration.



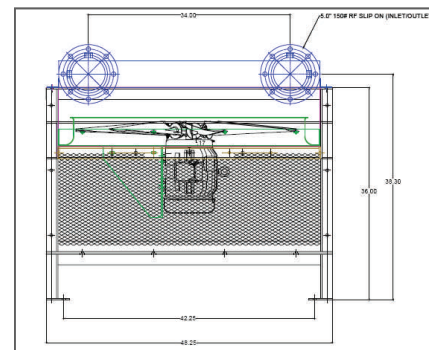
Replacement oil coolers, aftercoolers and combination coolers, to meet your cooling needs and matched to your mounting and connection locations.

TEMAC is a full line motor supplier delivering quality products at an affordable price.



Multiple fan designs to fit your unique cooling needs. Impellers selected to fit current applications or incorporated into a heat transfer system designed for optimum performance

TEMAC takes pride in design and manufacture of systems to meet your specific requirements. Reduce cycle time, simplify engineering, consolidate your purchasing and expediting while avoiding issues associated with multiple suppliers.



Mailing Address:

TEMAC, Inc.
P.O. Box 1215
Lockport, NY 14095-1215

Office Location:

1 East Avenue
Lockport, NY 14094



TEMAC INC.

Thermal / Electrical / Mechanical / Air Components

E-mail: info@temacinc.com
Website: <http://www.temacinc.com>
Tel: (716) 433-8694 Fax: (716) 433-8695

Warehousing Locations:

210 Walnut Street
Lockport, NY 14094

840 Henderson Avenue
Washington, PA 15301